

# METAL MAN<sup>®</sup>

**UWC2XL**

**OWNER'S MANUAL**



7/2019



**WARNING:**

Read carefully and understand all **ASSEMBLY AND OPERATION INSTRUCTIONS** before operating. Failure to follow the safety rules and other basic safety precautions may result in serious personal injury.

# METAL MAN<sup>®</sup>

EFFECTIVE June 1, 2015

## LIMITED WARRANTY

This warranty applies to the original purchaser and is subject to the terms and conditions listed below. This Limited Warranty is for new equipment sold after the above date, providing coverage for defects in material and workmanship at the time it is shipped from the factory.

Limited to the warranty periods below, METAL MAN WORK GEAR CO will repair or replace the item under warranty that fails due to defects in material and workmanship. METAL MAN WORK GEAR CO must be notified within 30 days of the failure, so as to provide instructions on how to proceed with the repair of your unit and warranty claim processing. Warranty period begins at the time the unit is purchased from and Authorized METAL MAN WORK GEAR retailer. **Keep your receipt as proof of purchase.**

### Warranty Periods

90 Days Warranty on METAL MAN Branded welding carts

### Limited Warranty

All parts for METAL MAN branded welding carts . This warranty covers the absence of, or defective parts.

### Voiding Warranty

Warranty does not apply to: shipping damage, misuse and abuse of the unit and alteration of the unit in any way.

### Warranty Claim

This is a Parts only warranty. **Contact METAL MAN WORK GEAR CO AT 888-762-4045.** Retain your receipt in the case a warranty claim is needed. No warranty will be provided without the original receipt from an authorized METAL MAN WORK GEAR dealer.

## GENERAL SAFETY RULES



**WARNING:** Read and understand all instructions. Failure to follow all instructions listed below may result in serious injury or death.



**CAUTION:** Do not allow persons to operate or assemble this unit until they have read this manual and have developed a thorough understanding of how this unit works.



**WARNING:** The warnings, cautions, and instructions discussed in this instruction manual cannot cover all possible conditions or situations that could occur. It must be understood by the operator that common sense and caution are factors which cannot be built into this product, but must be supplied by the operator.

## SAVE THESE INSTRUCTIONS

### USE AND CARE

- **Do not modify this unit in any way.** Unauthorized modification may impair the function and/or safety and could affect the life of the equipment. There are specific applications for which this unit was designed.
- **Always check for damaged or worn out parts before using this unit.** Broken parts will affect the operation. Replace or repair damaged or worn parts immediately.
- **Store idle.** When this unit is not in use, store it in a secure place out of the reach of children. Inspect it for good working condition prior to storage and before re-use.

### SPECIFICATIONS

Item	Description
Overall Dimensions	36 in. x 19 in. x 20-1/2 in.
Top Shelf Usable Space	12-1/2 in. x 20-1/4 in.
Bottom Shelf Dimensions	12-1/2 in. x 18-1/2 in.
Product Weight	30 lbs.
Load Capacity	110 lbs.



## DESCRIPTION

The METAL MAN UWC2XL Universal Welding Cart w/Handle is designed to hold portable wire welders, plasma cutters and TIG Welders. This cart features a fold down handle for easy towing of your welding unit. It also has a set of cable wraps on each side for easy and safe storage of your welding cables. It has a bottom shelf to store welding accessories. It also has an on-board cylinder rack to secure gas cylinders up to 7 inches in diameter. The 6 inch solid rubber back wheels and the 2 inch solid rubber casters help maneuver this cart. Your welder or cutter sits on a slanted top shelf, slanted to help get a better view of the unit controls.

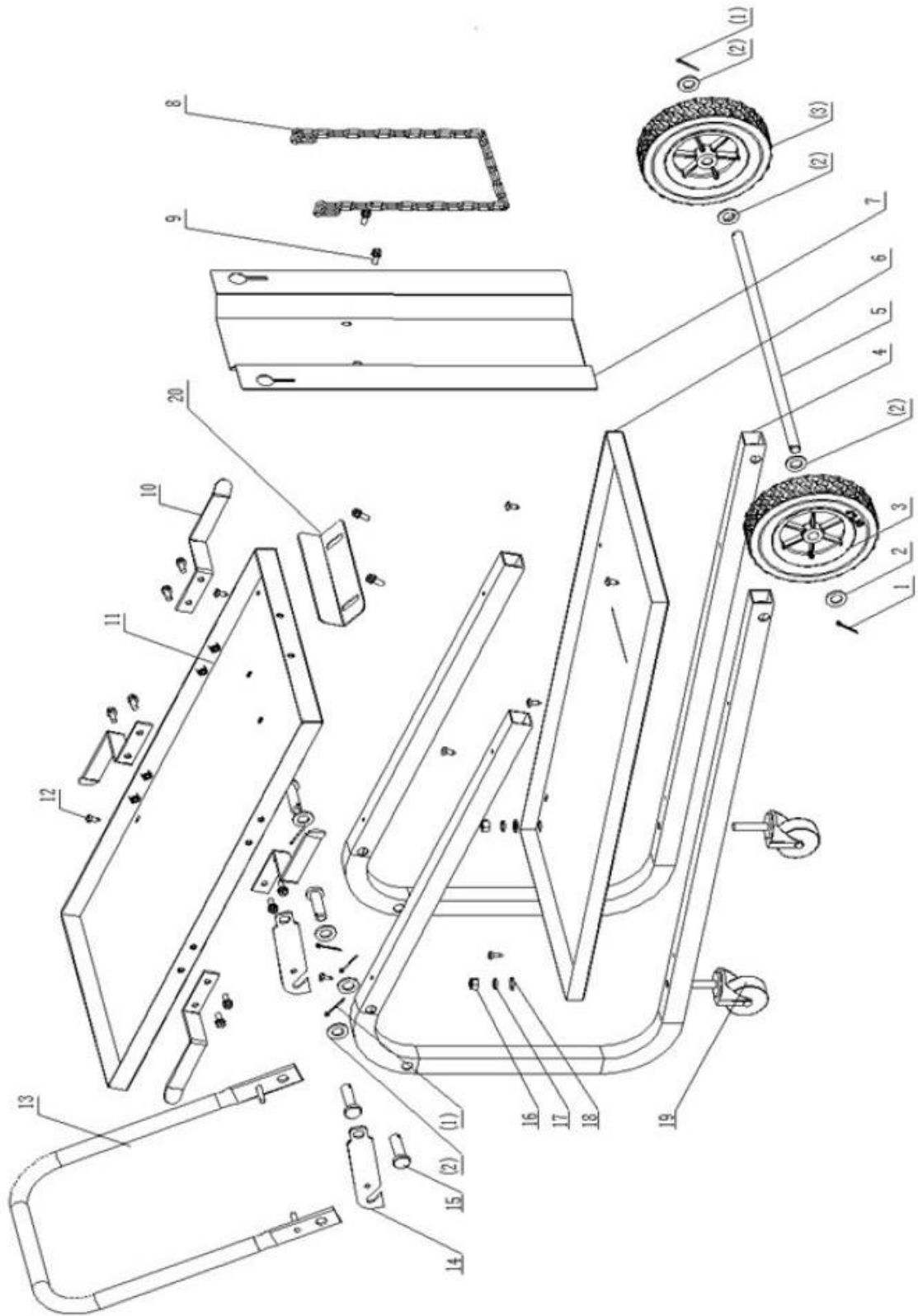
## ASSEMBLY

1. On a flat surface, stand the two frame pieces up on their long side.
2. Lay the bottom shelf on top of the two frame pieces, with the lip up.
3. Line up the pre-drilled holes for the front casters in the bottom shelf with the pre-drilled holes in the long side of one of the frame pieces.
4. From the bottom of one frame piece, insert the threaded shaft of one caster, through the pre-drilled hole of the frame, and then up through the pre-drilled hole of the bottom shelf.
5. Secure caster with a flat washer, lock washer and nut.
6. Repeat steps 3 through 5 using the other frame piece.

## ASSEMBLY CONTINUED

7. Use 4 of the self-tapping screws to secure the bottom shelf to the frame using the pre-drilled holes in the bottom shelf and frame.
8. Located the pre-drilled holes in the side of the frame supports at the back. Slide the axle through the pre-drilled holes in the side of the frame supports.
9. Slide a wheel on each side.
10. Secure each wheel with a flat washer and cotter pin.
11. The gas cylinder support has a lip at 90 degrees to the support. Insert that lip into the slot in the bottom shelf, with the lip facing the front of the cart. Pivot the gas cylinder support back so that it is at a 90 degree angle to the bottom shelf.
12. With the gas cylinder support upright at 90 degrees, place the top shelf onto the upper part of the frame supports with the lip up and line up the pre-drilled holes in the top shelf with the pre-drilled holes in the frame
13. Use 4 of the self-tapping screws to secure the top shelf to the frame using the pre-drilled holes in the top shelf and frame.
14. Using a bolt with the included lock washer and flat washer, insert the bolt through the pre-drilled holes in the gas cylinder support and thread into the welded nut in the top tray. Repeat for both pre-drilled holes in the gas cylinder support.
15. Located the top pre-drilled hole on the front left frame just under the top shelf. From the outside of the frame, insert one of the clevis pins through the pre-drilled hole in the frame. Slide a latch and then a flat washer onto the open end of the clevis pin. Secure both with a cotter pin.
16. Repeat the last step for the right side frame.
17. Locate the lower pre-drilled hole on the front left frame. From the outside of the frame, insert one of the clevis pins through the pre-drilled hole in the frame. Slide the pre-drilled hole in one end of the handle onto the clevis pin. Add a flat washer and secure with a cotter pin.
18. Repeat the last step for the right side frame.
19. Find one of the cable holders. Make note of the threaded mounting holes in the left front lip of the top shelf. Position the cable holder so the pre-drilled mounting holes in the cable holder align with the threaded mounting holes in the lip of the top shelf. Position this cable holder so the opening goes to the front of the cart. Using a hex bolt with the included lock and flat washer, secure the cable holder to the top shelf. Repeat for the other mounting hole.
20. Repeat this step to secure all four cable wrap brackets.
21. Using two of the bolts with included washers, secure the slider plate to the top shelf.
22. Put the Gas Cylinder Retaining Chain in the open slots in the Gas Cylinder Support.

# DIAGRAM & PARTS LIST



Reference #	Part#	Description	Qty.
1	105100001	COTTER PIN 2.5 MM X 25 MM	6
2	105100002	FLAT WASHER M12	8
3	105100003	RUBBER WHEEL 150MM X 35 MM	2
4	105100005	FRAME	2
5	105100004	AXLE	1
6	105100006	BOTTOM SHELF	1
7	105100010	GAS CYLINDER SUPPORT	1
8	105100007	GAS CYLINDER RETAINING CHAIN	1
9	105100191	10MM BOLT WITH INCLUDED WASHERS	12
10	105100015	CABLE HOLDER	4
11	105100192	TOP SHELF	1
	145200001	NEED HELP STICKER	1
12	105100013	SELF-TAPPING SCREW	8
13	105100017	HANDLE	1
14	105100018	LATCH	2
15	105100019	CLEVIS PIN	4
16	105100020	HEX NUT	2
17	105100021	LOCK WASHER	2
18	105100022	FLAT WASHER	2
19	105100023	FRONT CASTER	2
20	105100158	SLIDER PLATE	1
	145100006	OWNER'S MANUAL	1

For technical questions contact our help line at 1-888-762-4045.

# **METAL MAN<sup>®</sup>**

## **Metal Man Work Gear Company**

1760 Prospect Ct #120

Appleton, WI 54914

**[www.metalmangear.com](http://www.metalmangear.com)**

**888-762-4045**

Page 8 of 8