

METAL MAN[®]

WORK GEAR

TTWC1 – THREE TIER WELDING CART

OWNER'S MANUAL



5/2015



WARNING:

Read carefully and understand all **ASSEMBLY AND OPERATION INSTRUCTIONS** before operating. Failure to follow the safety rules and other basic safety precautions may result in serious personal injury.

METAL MAN WORK GEAR CO

EFFECTIVE June 1, 2015

LIMITED WARRANTY

This warranty applies to the original purchaser and is subject to the terms and conditions listed below. This Limited Warranty is for new equipment sold after the above date, providing coverage for defects in material and workmanship at the time it is shipped from the factory.

Limited to the warranty periods below, METAL MAN WORK GEAR CO will repair or replace the item under warranty that fails due to defects in material and workmanship. METAL MAN WORK GEAR CO must be notified within 30 days of the failure, so as to provide instructions on how to proceed with the repair of your unit and warranty claim processing. Warranty period begins at the time the unit is purchased from and Authorized METAL MAN WORK GEAR retailer. **Keep your receipt as proof of purchase.**

Warranty Periods

90 Days Warranty on METAL MAN Branded welding carts

Limited Warranty

All parts for METAL MAN branded welding carts . This warranty covers the absence of, or defective parts.

Voiding Warranty

Warranty does not apply to: shipping damage, misuse and abuse of the unit and alteration of the unit in any way.

Warranty Claim

This is a Parts only warranty. **Contact METAL MAN WORK GEAR CO AT 888-762-4045.** Retain your receipt in the case a warranty claim is needed. No warranty will be provided without the original receipt from an authorized METAL MAN WORK GEAR dealer.

GENERAL SAFETY RULES



WARNING: Read and understand all instructions. Failure to follow all instructions listed below may result in serious injury or death.



CAUTION: Do not allow persons to operate or assemble this unit until they have read this manual and have developed a thorough understanding of how this unit works.



WARNING: The warnings, cautions, and instructions discussed in this instruction manual cannot cover all possible conditions or situations that could occur. It must be understood by the operator that common sense and caution are factors which cannot be built into this product, but must be supplied by the operator.

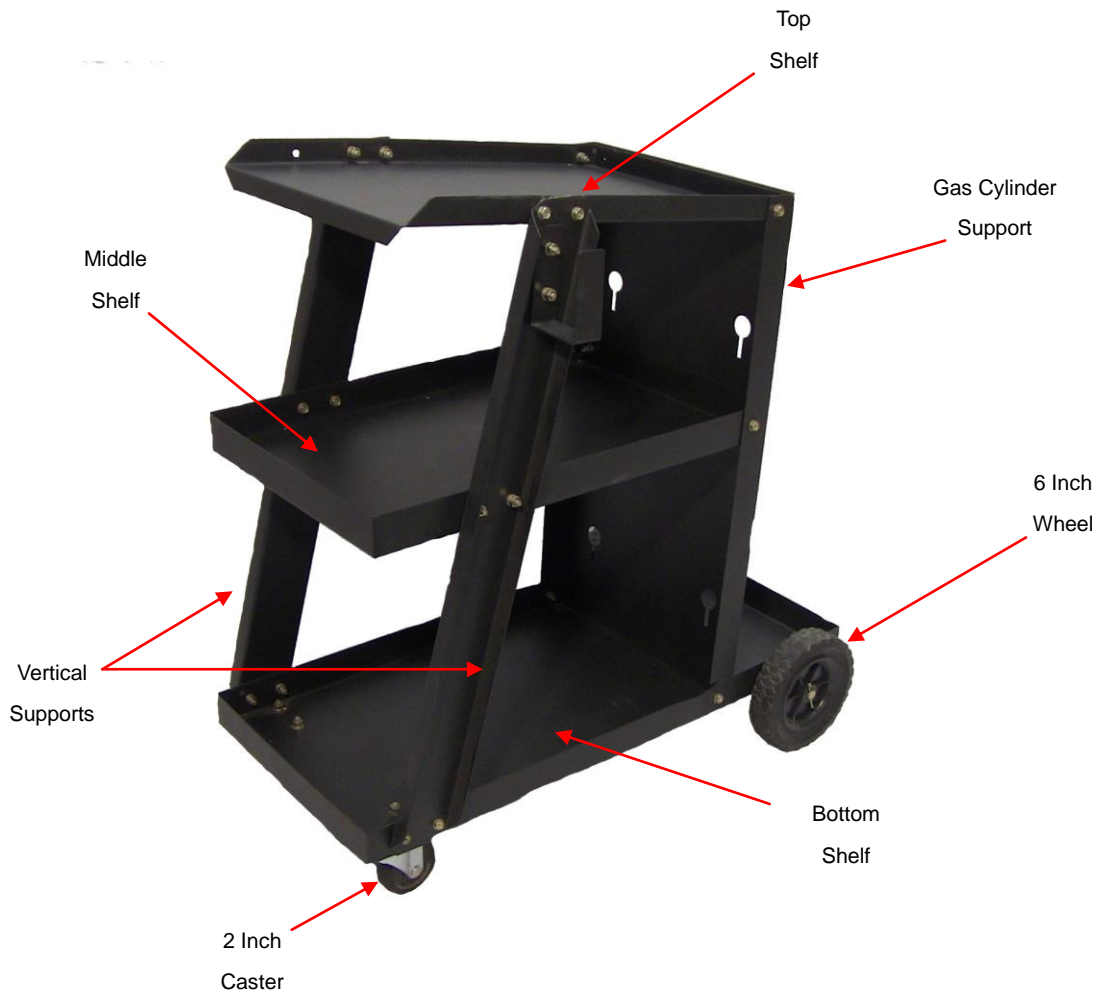
SAVE THESE INSTRUCTIONS

USE AND CARE

- **Do not modify this unit in any way.** Unauthorized modification may impair the function and/or safety and could affect the life of the equipment. There are specific applications for which this unit was designed.
- **Always check for damaged or worn out parts before using this unit.** Broken parts will affect the operation. Replace or repair damaged or worn parts immediately.
- **Store idle.** When this unit is not in use, store it in a secure place out of the reach of children. Inspect it for good working condition prior to storage and before re-use.

SPECIFICATIONS

Item	Description
Overall Dimensions	27-1/4 in. x 15-3/4 in. x 28-1/4 in.
Product Weight	31 lbs
Load Capacity	110 lbs



DESCRIPTION

The METAL MAN TTWC1 Three-Tier Welding Cart is designed to hold portable wire welders, plasma cutters and TIG Welders. This cart features a three level design to help organize all your welding tools and accessories. It also has a set of cable wraps on each side for easy and safe storage of your welding cables. This unit also has an on-board cylinder rack to secure gas cylinders up to 7 inches in diameter. The 6 inch solid rubber back wheels and the 2 inch solid rubber casters help maneuver this cart. Your welder or cutter sits on the top shelf, slanted to help get a better view of the unit controls.

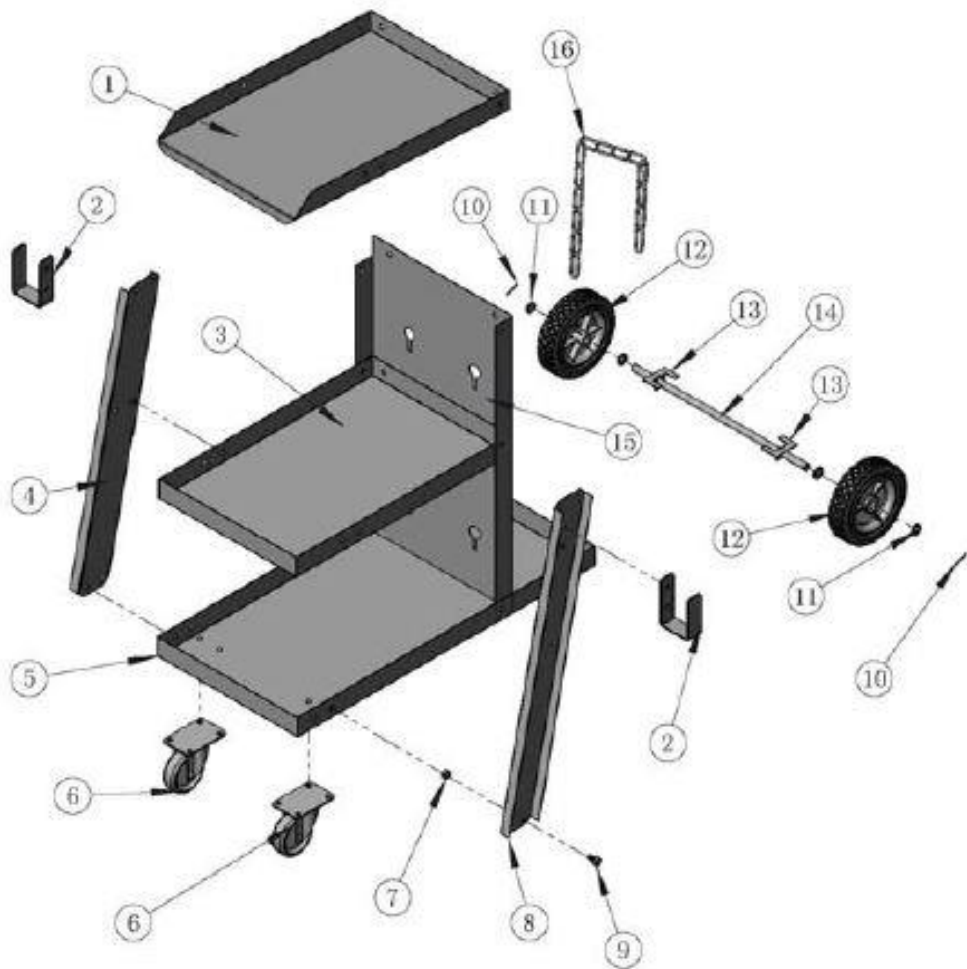
ASSEMBLY

1. Remove all items from the packing material.
2. Starting with the bottom panel, place the bottom panel on a sturdy surface with the side lips facing up. Find the long slots at the back of the base unit. Insert the Axle Clips into the slots from the top, then slide the axle through the large hole in the clip. Repeat for both clips.
3. Slide a wheel on each side of the axle.
4. Secure each wheel with a flat washer and cotter pin.
5. Locate the 4 pre-drilled holes at the left front of the bottom panel. Slide a hex bolt through one pre-drilled hole and then into the matching pre-drilled hole in the flange of one of the casters. Then secure with a hex nut. Repeat for the other 3 mounting holes.

ASSEMBLY CONTINUED

6. Repeat the last step for the 4 pre-drilled holes at the right front of the bottom panel.
7. For the remaining assembly steps, we recommend that all hardware be hand tightened to allow slight movement for the purpose of aligning pre-drilled holes to install hardware. At the end of these instructions, we will remind you to go back and snug all connections tight.
8. Find the left side vertical panel. With the lips out align to the two pre-drilled holes of the left side vertical panel with the two pre-drilled holes in the lip of the bottom panel at the front. They are located right above the left side caster. Insert a hex bolt into the pre-drilled holes in the left side vertical panel and into the pre-drilled holes in the lip of the bottom panel. Secure with a hex nut. Repeat for the other mounting hole
9. Repeat the last step for the right side vertical panel.
10. Find the Vertical Cylinder Securement Panel. Position this panel so that the slots in the panel point down. Insert the down side edge into the bottom panel and align the pre-drilled holes in the side lips with pre-drilled holes in the lips of the bottom panel that are located just in front of the back wheels. Insert a hex bolt into the pre-drilled holes in the bottom panel and then through the pre-drilled holes in the Vertical Cylinder Securement Panel. Secure with a hex nut. Repeat for both sides.
11. Find the top shelf. Position this shelf so that the lips point up. Align the pre-drilled mounting holes in the lip of the top shelf with the pre-drilled mounting holes in the Vertical Cylinder Securement Panel and both the left side and right side vertical side panels. Using a hex bolt, slide the bolt through the pre-drilled holes in the lip of the top shelf and into the matching pre-drilled holes in the Vertical Cylinder Securement Panel, the Left Side Vertical Panel and the Right Side Vertical panel. Secure with a Hex Nut. Repeat for all the mounting holes.
12. Find the middle shelf. Position this shelf so that the lips point up. Align the pre-drilled mounting holes in the lip of the middle shelf with the pre-drilled mounting holes in the Vertical Cylinder Securement Panel and both the left side and right side vertical side panels. Using a hex bolt, slide the bolt through the pre-drilled holes in the lip of the Middle shelf and into the matching pre-drilled holes in the Vertical Cylinder Securement Panel, the Left Side Vertical Panel and the Right Side Vertical panel. Secure with a Hex Nut. Repeat for all the mounting holes.
13. Find one of the cable holders. Position the cable holder so the pre-drilled mounting holes in the cable holder align with the pre-drilled mounting holes in the Left Side Vertical Panel so that the opening of the cable holder is up. Using a hex bolt, slide the bolt through the pre-drilled holes in the cable holder and into the matching pre-drilled holes in the Left Side Vertical Panel. Secure with a Hex Nut. Repeat for the other mounting hole. Repeat on the right side.
14. Now go back and tighten all connections.
15. Insert one end of the Cylinder Securement Chain into one of the slots in the Vertical Cylinder Securement Panel. Let the Chain fall down into the slot to hold it in place. Wrap the chain around your bottle of shielding gas and insert the other end into the other slot. Let the Chain fall down into the slot to hold it in place. Adjust the chain as needed to secure the cylinder. Repeat this step for the remaining Cylinder Securement Chain.

DIAGRAM & PARTS LIST



Reference #	Part#	Description	Qty.
1	105100125	TOP SHELF	1
2	105100126	CABLE HOLDER	2
3	105100127	MIDDLE SHELF	1
4	105100128	LEFT SIDE VERTICAL PANEL	1
5	105100129	BOTTOM	1
6	105100130	CASTER	2
7	105100131	HEX NUT	34
8	10510132	RIGHT SIDE VERTICAL PANEL	1
9	105100133	HEX BOLT	34
10	105100001	COTTER PIN	2
11	105100002	FLAT WASHER	4
12	105100003	RUBBER WHEEL	2
13	105100121	AXLE CLIP	2
14	105100134	AXLE	1
15	105100135	VERTICAL CYLINDER SECUREMENT PANEL	1
	145200001	NEED HELP LABEL	1
16	105100013	CYLINDER SECUREMENT CHAIN	2
	145100001	OWNER'S MANUAL	1

For technical questions contact our welder help line at 1-888-762-4045.