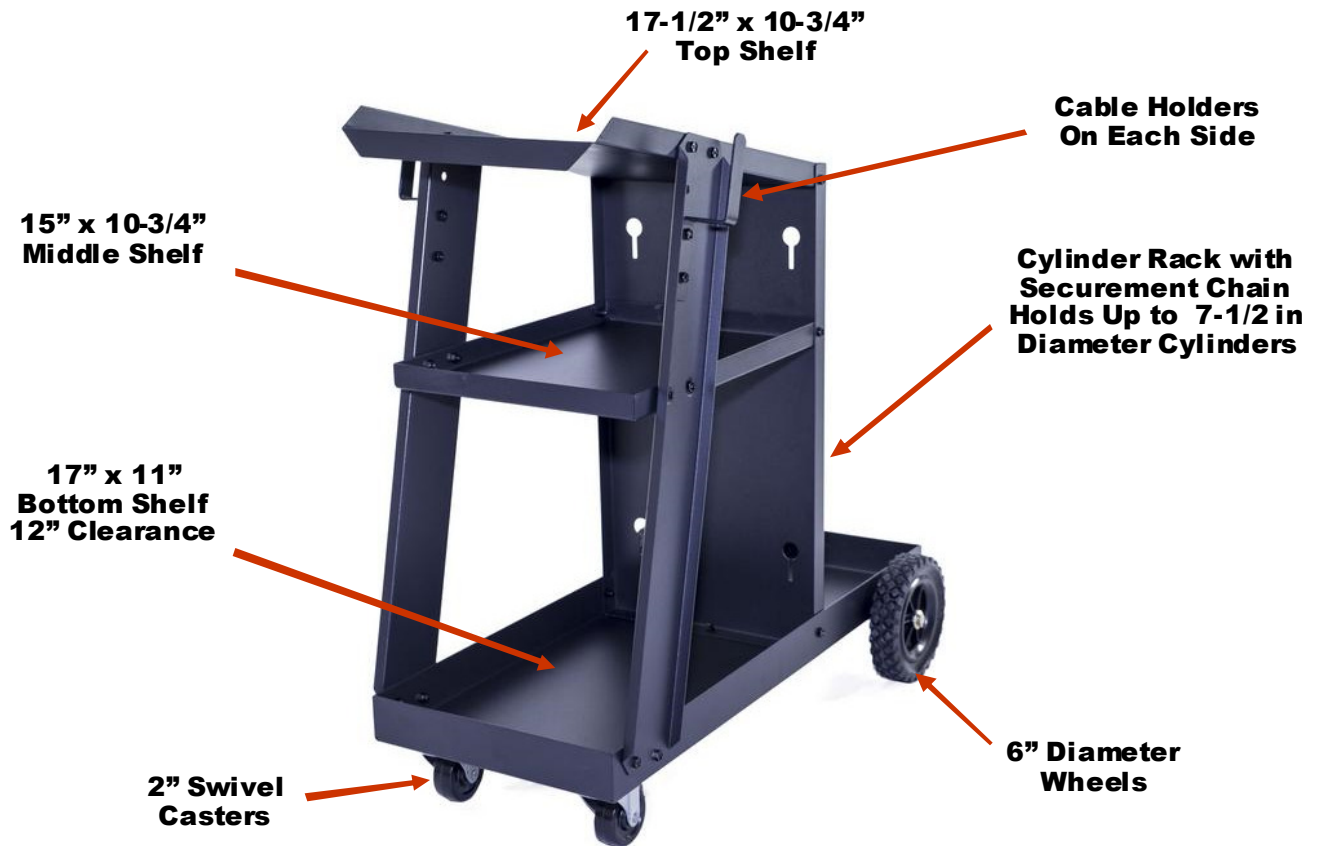


# METAL MAN<sup>®</sup>

## TTWC1 Three-Tier Welding Cart



### DESCRIPTION

The Metal Man Three-Tier Welding cart is designed to make maneuvering your welder easy. The single cylinder rack is capable of holding up to a 7-1/2 inch diameter, 80 lb cylinder and comes with a securement chain to hold the cylinder in place. The top shelf is slightly slanted putting the welder controls at an easy to use angle. The extra shelf levels provides convenient storage space for your welding accessories.


Order Part Number: TTWC1

### SPECIFICATIONS

Item	Description
Overall Dimensions	27-1/4" x 15-3/4" x 28-1/4"
Top Shelf Usable Space	17-1/2" x 10-3/4"
Middle Shelf	15" x 10-3/4"
Bottom Shelf	17" x 11"
Weight	30 lbs.
Load Capacity	110 lbs.
Shipping	29" x 13" x 5" 29 lbs.
UPC	858709002159

**Metal Man Work Gear Co**  
 1760 Prospect Ct Ste 120  
 Appleton, WI 54914  
 888-762-4045

# METAL MAN<sup>®</sup>

 Like Us on Facebook

[www.metalmangear.com](http://www.metalmangear.com)