



## Small Cylinder Cart



Read carefully and understand RULES FOR SAFE OPERATION and instructions before operating. Failure to follow the safety rules and other basic safety precautions may result in serious personal injury.

# METAL MAN<sup>®</sup>

**EFFECTIVE June 1, 2015**

## **LIMITED WARRANTY**

This warranty applies to the original purchaser and is subject to the terms and conditions listed below. This Limited Warranty is for new equipment sold after the above date, providing coverage for defects in material and workmanship at the time it is shipped from the factory.

Limited to the warranty periods below, METAL MAN WORK GEAR CO will repair or replace the item under warranty that fails due to defects in material and workmanship. METAL MAN WORK GEAR CO must be notified within 30 days of the failure, to provide instructions on how to proceed with the repair of your unit and warranty claim processing. Warranty period begins at the time the unit is purchased from and Authorized METAL MAN WORK GEAR retailer. **Keep your receipt as proof of purchase.**

## **Warranty Periods**

90 Days Warranty on METAL MAN Branded welding carts

## **Limited Warranty**

All parts for METAL MAN branded welding carts. This warranty covers the absence of, or defective parts.

## **Voiding Warranty**

Warranty does not apply to shipping damage, misuse and abuse of the unit and alteration of the unit in any way.

## **Warranty Claim**

This is a Parts only warranty. **Contact METAL MAN WORK GEAR CO AT 888-762-4045.** Retain your receipt in the case a warranty claim is needed. No warranty will be provided without the original receipt from an authorized METAL MAN WORK GEAR dealer.

*Please read and save these instructions. Read through this owner's manual carefully before using product. Protect yourself and others by observing all safety information, warnings, and cautions. Failure to comply with instructions could result in personal injury and/or damage to product or property. Please retain instructions for future reference.*

## Small Cylinder Cart

### Description

This small cylinder cart is easy to assemble and holds 8" acetylene and 7" oxygen cylinders. This unit comes in two subassemblies for easy shipping and is quickly assembled with 4 nuts & bolts and one axle with two washers and two cotter pins. This cart features a single handle and 6" wheels that make it easy to maneuver. The handy storage box has a cover to keep all your tools and supplies out of the weather.



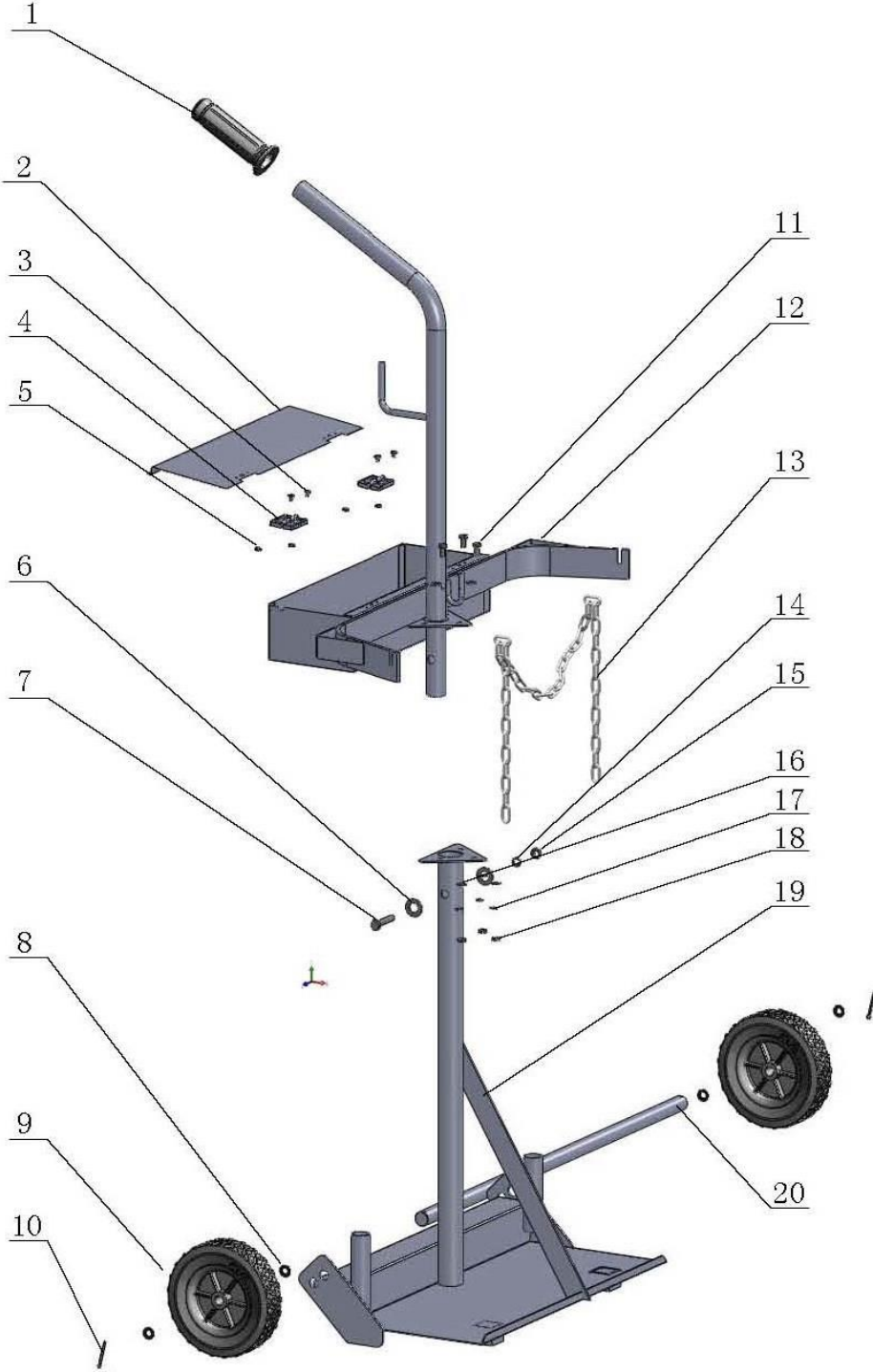
### Specifications

Item	Specification
Packing Dimension (LXWXH) inch	20 x 15" x 28-1/2"
Product Dimension (LXWXH) inch	20-1/2" x 15" x 38-1/2"
Packing weight	20 lbs.
Net weight	15.65 lbs.

### Assembly

- Step 1 Assemble axle, wheels, washers and cotter pins to the bottom of the assembly.
- Step 2 Assemble the top assembly to the bottom assembly by inserting the tube from the top assembly into the bottom assembly. And assemble the handle.
- Step 3 Align the three holes of the mating flanges and secure with nut and bolt combination.
- Step 4 Insert final nut and bolt combination in the mating tube and secure.
- Step 5 Find the center link of the bottle retaining chain and attach to center chain hook. Then connect the ends of the chain into the slots of each arm.

Small Cylinder Cart



Small Cylinder Cart

---

**Spare Parts List**

Reference number	Description	Part number	Qty
1	handle	2.05.08.025	1
2	tool box lid	1.1.01.05.2832	1
3	cross recessed pan head screw M4*12	2.06.09.211	4
4	hinge	2.05.05.064	2
5	hexagon nut	2.06.14.642	4
6	flat washer 8	2.06.17.005	2
7	hexagon bolt M8*45	2.06.01.077	1
8	flat washer 20	2.06.17.010	4
9	solid tire	2.05.07.107	2
10	cotter	2.06.21.001	2
11	hexagon bolt M6*12	2.06.01.163	3
12	top assembly	1.1.01.05.2960	1
13	chain	1.1.12.54.0001	1
14	spring washer 8	2.06.18.005	1
15	hexagon nut 8	2.06.14.005	1
16	flat washer 6	2.06.17.017	3
17	spring washer 6	2.06.18.016	3
18	hexagon nut 6	2.06.14.644	3
19	bottom panel	1.1.01.05.2770	1
20	axle	1.1.01.05.2269	1